

ROAD WIDENER OFFSET VIBE ROLLER

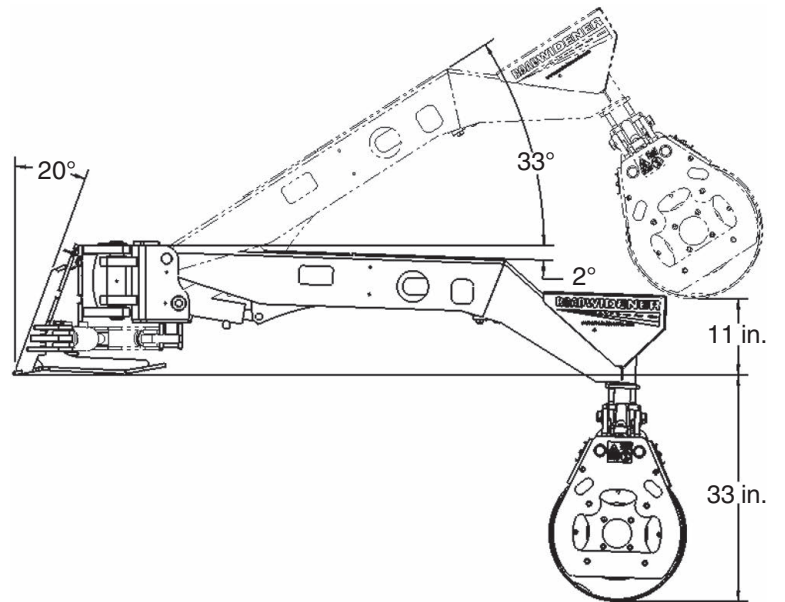
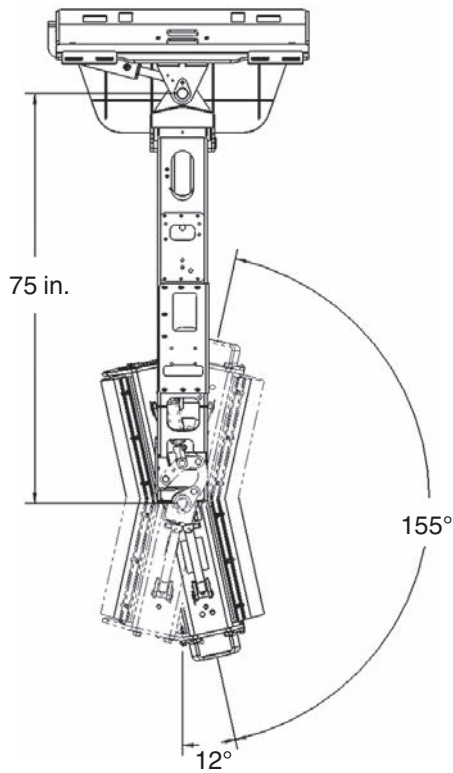
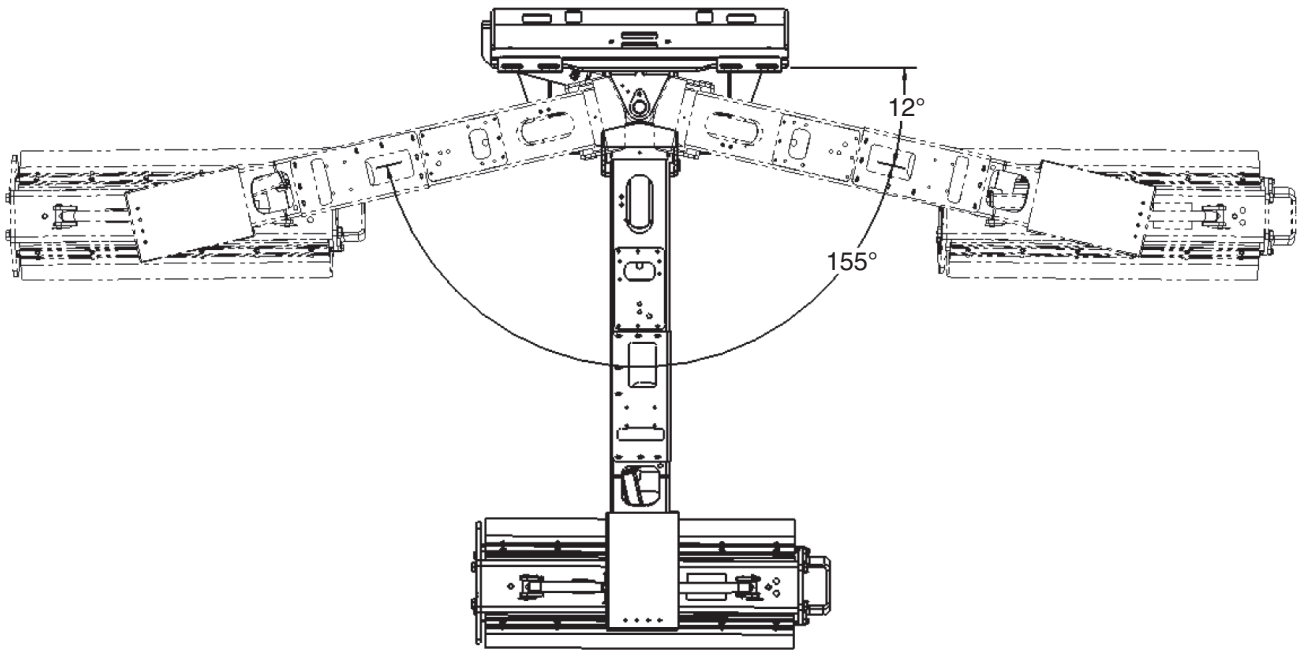
*Compacts All Aggregates
Connects to Any Machine
Patented Technology*



ROADWIDENER®

1-844-494-3363 | Sales@RoadWidenerLLC.com
www.RoadWidenerLLC.com

OFFSET VIBE ROLLER - PRODUCT SPECIFICATIONS





Offset feature allows operator to stay on the road while rolling and compacting shoulders and ditches.



Safest rolling solution on the market!

- Safest roller on the market – one-of-a kind attachment
- Attaches to any machine via SAE quick connector coupling
- Requires only standard flow hydraulics
- Remote control puts functions in the hands of the operator
- Vibratory feature creates optimal compaction
- Can roll stone, asphalt, RAP, dirt
- Multiple roller widths 2', 3', and 4'
- Can roll outside slope of shoulder, not just horizontal edges (up to 30-degree drum pivot)
- Can be dropped down into trenches – drum goes to 30 inches below mounting point
- Sprayer mount provisions for hot asphalt users



Remote control

ARM WEIGHT LB (KG)	DRUM WIDTH FT (CM)	DRUM MASS LB (KG)	MIN. CENTRIFUGAL FORCE LBF (KGF)	MIN. TOTAL APPLIED FORCE LBF (KGF)	VPM
950 (431)	2' (61.0)	570 (259)	1513 (686)	3016 (1368)	2500-3500
950 (431)	3' (91.4)	713 (323)	1513 (686)	3110 (1410)	2500-3500
950 (431)	4' (121.9)	819 (371)	1513 (686)	3196 (1449)	2500-3500

Disclaimer:

All information, illustrations and specifications in this brochure are based on the latest information available at the time of publishing. The illustrations used in this manual are intended as representative reference views only. Products are under a continuous improvement policy. Thus, information, illustrations and/or specifications to explain and/or exemplify a product may be changed at any time without notice.